


QUICK SHIP OPTIONS



# QUICK SHIP: YOU STILL HAVE OPTIONS

Ships in  
**5** DAYS!

G Lighting's **Quick Ship** program has provided many *TIME SENSITIVE PROJECTS* with fast lighting solutions, without sacrificing quality. These products ship within **5** days.

 G Lighting

[www.glighting.com](http://www.glighting.com)



# BEAM

GL-5450

Interior/Exterior Sconce

Mid Power  
High efficiency LED's

Highly durable  
oven cured powder coat

Aluminum die cast  
end caps and bars

ADA 

Available in:



Dark bronze



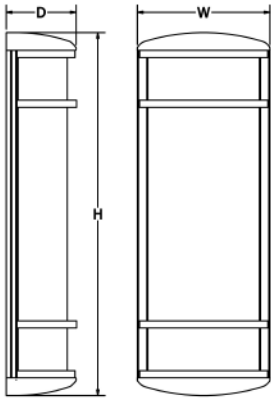
# BEAM - QUICKSHIP

## Exterior Sconce

**GLighting**  
Since 1908

9777 Reavis Park Drive  
St. Louis, MO 63123  
800.331.2425 or 314.631.6000  
Fax 314.631.7800

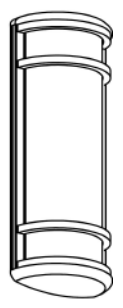
sales@glighting.com www.glighting.com



### GENERAL SPECIFICATION

- LED:** High efficiency mid-power LEDs are field serviceable.
- LED Dimming:** 0-10V dimming standard with LED lamping option.
- Body:** Extruded aluminum wall plate and rails. Body hinges for easy serviceability.
- Acrylic:** Extruded lens is UL-94 HB Flame Class rated.
- Finish:** Highly durable oven cured no VOC premium powder coat. Fixture painted dark bronze.
- Design:** Aluminum die cast end caps and decorative bars.
- Exterior Mounting:** Gasketed between wall and wall plate.



SAMPLE CATALOG NUMBER: GL-5450-					
MODEL NO.	B-	W-	DBZ-	A-	A
	LAMPING	ACRYLIC	FINISH	DESIGN	OPTION(S)
GL-5450 W in 7 1/4" mm 185 H in 17" mm 430 5lbs 2.3kg D in 3 7/8" mm 125	B. 14LED35	Standard: W. White Opal	Standard: DBZ - Dark Bronze	Standard: A. 	A. No Options

All dimensions are nominal.

### Lamp Definition

Code	Lamp	Total Wattage	Delivered Lumens	Kelvin
B	14LED35	14W	781	3500



# HELIO-37"

GL-2651

**Outer Acrylic Interior Pendant**

**High efficiency  
mid-power LED's**

**Satin white seamless  
outer acrylic lens**

**Highly durable oven  
cured power coat**

**Fixture painted  
Textured White**



Available in:



Textured White

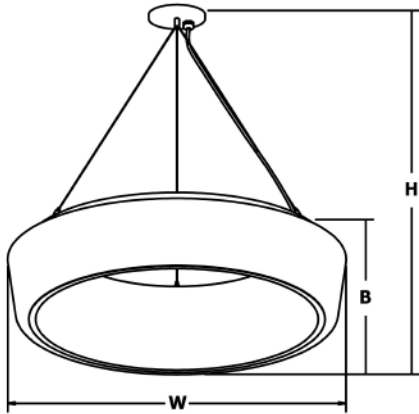
# HELIO - QUICKSHIP

## Outer Acrylic Interior Pendant

**G**Lighting  
Since 1908

9777 Reavis Park Drive  
St. Louis, MO 63123  
800.331.2425 or 314.631.6000  
Fax 314.631.7800

sales@glighting.com www.glighting.com



### GENERAL SPECIFICATION

**LED:** High efficiency mid-power LEDs are field serviceable.

**LED Dimming:** 0-10V dimming standard.

**Acrylic:** Satin white seamless outer acrylic is UL-94 HB Flame Class rated.

**Cable Hung:** Comes with 150" cable and cord for on-site adjustability. Canopy painted textured white.

**Finish:** Highly durable oven cured no VOC premium powder coat. Fixture painted textured white.

SAMPLE CATALOG NUMBER:

GL-2651-

B-

1-

A

MODEL NO.

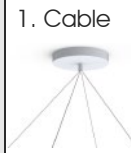
LAMPING

HANGER

OPTIONS

GL-2651 W in 37 1/2" mm 950  
30lbs B in 8 1/2" mm 215  
13.5kg H in 20"-150" mm 510-3810

C. 6LED30  
B. 6LED35  
E. 6LED40



A. No Options

Fixture Painted Textured White

All Dimensions are nominal.

### Lamp Code Definition

Code	Total Wattage	CRI	Rated Life Hrs	Delivered Lumens	Kelvin
6LED30	85	+80	50000	6374	3000
6LED35	85	+80	50000	6374	3500
6LED40	85	+80	50000	6374	4000



# CYLINDER

GL-6540-6543

Outdoor ADA Wall Sconce

**ETL listed for wet locations**

**High power LED lamping option**

**Thermal protection and  
universal voltage**

**All reflector variations available**



Available in:



Textured Bronze



Textured Black

# CYLINDER - QUICKSHIP

## Outdoor ADA Wall Sconce

SAMPLE CATALOG NUMBER:				
MODEL NO.	LAMPING	REFLECTOR	FINISH	OPTIONS
GL-6540 	B. LED35	Up R2 20° Fresnel Lens R3 30° Flat, Clear Lens  Down R2 20° Fresnel Lens R3 30° Flat, Clear Lens	Textured: TBL - Black TBZ - Bronze	A. No Options
GL-6541 	B. LED35	Up R5 50° Flat, Clear Lens CC Closed Cap  Down R5 50° Flat, Clear Lens CC Closed Cap		
GL-6542 	B. LED35	Up R2 20° Fresnel Lens R3 30° Flat, Clear Lens  Down R5 50° Flat, Clear Lens CC Closed Cap		
GL-6543 	B. LED35	Up R5 50° Flat, Clear Lens CC Closed Cap  Down R2 20° Fresnel Lens R3 30° Flat, Clear Lens		

Complete LM-79 data available at [glighting.com](http://glighting.com)

\* All dimensions are nominal.

LED	Code	Kelvin	Reflector	Total Wattage	CRI	Rated Life Hrs	Delivered Lumens
- 13W 80CRI high power LED per side	LED35	3500K	20	13	+80	50000	1231
- 0-10V dimming standard with LED lamping option			30	13	+80	50000	867
- Lumen maintenance +90% over 50,000 hour life			50	13	+80	50000	956
- Light source is field replaceable							

**Mounting**

- Driver mounted in 4" square by 2 1/8" deep junction box: Steel City #52171 or equivalent (supplied by others)

**Driver**

- Protection: electronic internal, resettable short circuit protection, thermal protection, and overload regulation
- Universal voltage 120-277 volt

**Fixture is ETL listed for wet locations**